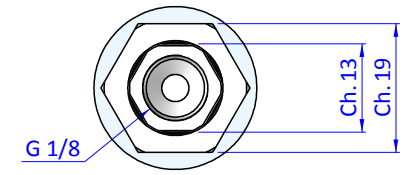
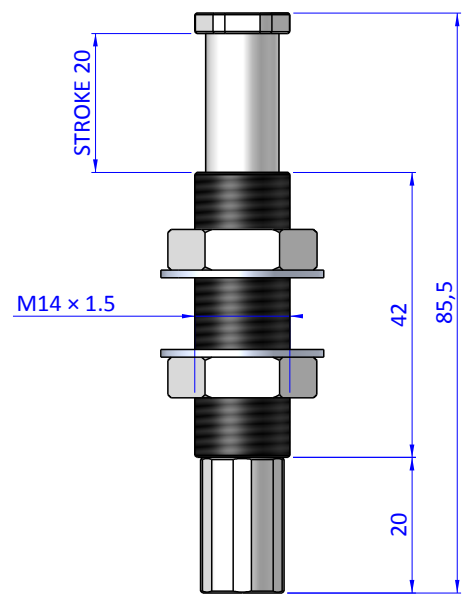
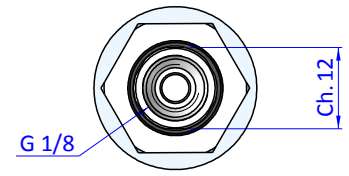
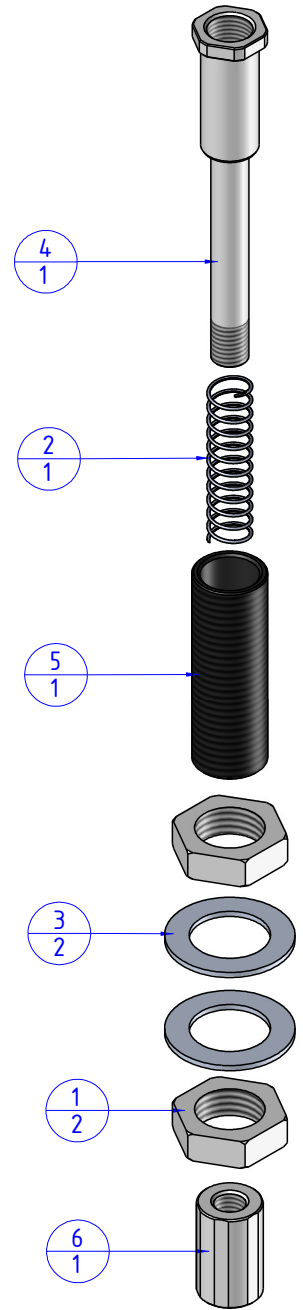


THE PROPERTY OF THE DRAWING IS ESTABLISHED BY LAW. IT IS FORBIDDEN TO PRODUCE OR SHOW IT TO THIRD PARTY, WITHOUT A WRITTEN AGREEMENT.

| Item | Name         | Q.ty |
|------|--------------|------|
| 1    | 05.01.001.06 | 2    |
| 2    | M.8.45X34    | 1    |
| 3    | R.14.SCH     | 2    |
| 4    | SDR.1420.01  | 1    |
| 5    | SDRG.1420.02 | 1    |
| 6    | VSN.14.1     | 1    |



Format A3  
UNI 936-76

|                   |              |               |              |
|-------------------|--------------|---------------|--------------|
|                   |              | DESIGNED FROM | REVIEW       |
|                   |              | FP SERVICES   | A / 2        |
| GENERAL TOLERANCE | DESCRIPTION  | DATE          | WEIGHT       |
| UNI - ISO 2768    | CA.SDRG.1420 | 11/02/2019    | 0,030kg      |
| CLASSE f          |              | CODE          | CA.SDRG.1420 |